

aero Plug-in Shutter 1330mm x 1785mm



aero Plug-in

With lockable night shutters

Powered by **Aircell**



Refrigerant
R290



Temp. class/range
3M1 (-1 ÷ +5°C)



Climate Class
3 (25°C, 60% RH)

Specification

- / Plug-in R290 cabinet
- / Aircell patented ventilation system
- / Lockable night shutter
- / Adjustable shelving*
 - / 3 Tier plus base (1785mm high)
 - / 4 Tier plus base (2015mm high)
- / POS price rails
- / Perspex risers
- / Horizontal LED canopy lighting
- / Vertical lighting in end walls
- / Electronic controller
- / Timed Reverse Condenser Fans to reduce cleaning
- / Expansion valve
- / Off cycle defrost
- / Automatic condensate removal

*Aircell shelves can move one position upwards or downwards.

Options & Accessories

- / Alternative brand electronic controller
- / Electronic expansion valve
- / Tilted shelf risers
- / Additional shelving
- / Stepped shelf risers
- / Low profile mobile castors + 25mm
- / Alternative bumper options
- / Glass or solid ends

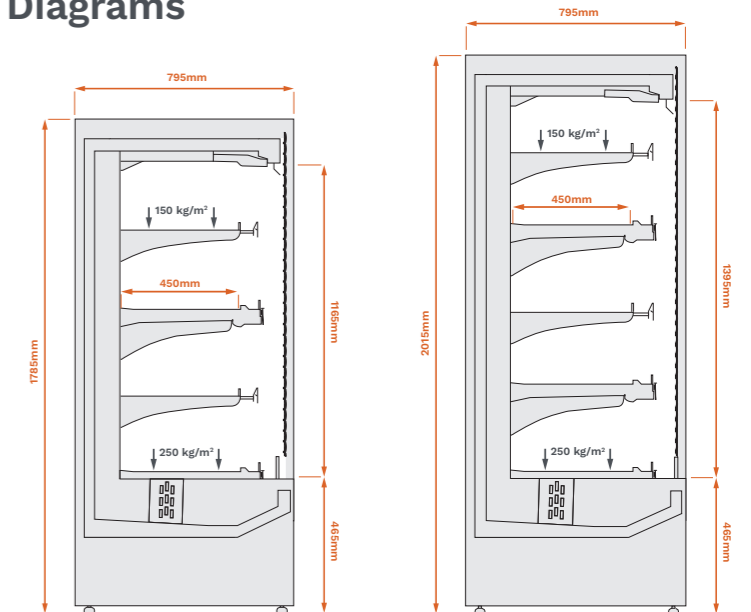
Module	Width*	Depth	Height	TDA m ²	Power
1,25	1330mm	795mm	1785mm	2.36m ²	230V / 50Hz
1,25	1330mm	795mm	2015mm	2.85m ²	230V / 50Hz

Based on Glass End Walls

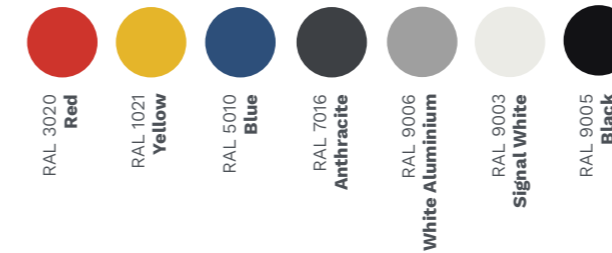
TDA (Total Display Area)

*Width includes end walls (40mm each)

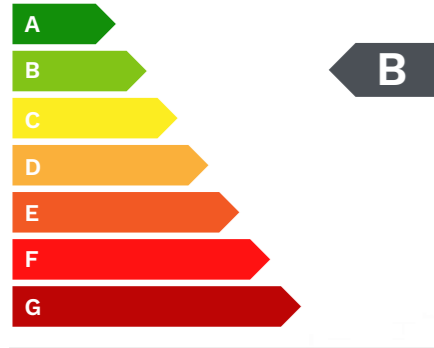
Diagrams



Standard Colour finishes



Optional Customisation
Any RAL Colour



aero Plug-in 1330mm x 1950mm

aero Plug-in

Powered by **Aircell**



Refrigerant
R290



Temp. class/range
3M1 (-1 ÷ +5°C)



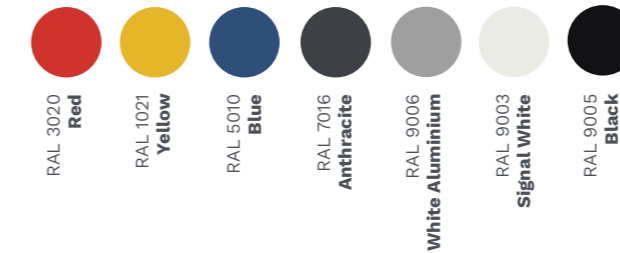
Climate Class
3 (25°C, 60% RH)

Specification

- / Plug-in R290 cabinet
- / Aircell patented ventilation system
- / Manual nightblind
- / Adjustable shelving*
 - / 3 Tier plus base (1715mm high)
 - / 4 Tier plus base (1950mm high)
 - / 5 Tier plus base (2145mm high)
- / POS price rails
- / Perspex risers
- / Horizontal LED canopy lighting
- / Vertical lighting in end walls
- / Electronic controller
- / Timed Reverse Condenser Fans to reduce cleaning
- / Expansion valve
- / Off cycle defrost
- / Automatic condensate removal
- / Multiplexable

*Aircell shelves can move one position upwards or downwards.

Standard Colour finishes



Optional Customisation
Any RAL Colour

Options & Accessories

- / Alternative brand electronic controller
- / Electronic expansion valve
- / Electric night blind
- / Tilted shelf risers
- / Additional shelving
- / Stepped shelf risers
- / Low profile mobile castors + 25mm
- / Alternative bumper options
- / Glass or solid ends

Module	Width*	Depth	Height	TDA m ²	Power
1,25	1330mm	765mm	1715mm	2.36m ²	230V / 50Hz
2,50	1330mm	765mm	1715mm	3.81m ²	230V / 50Hz

Module	Width*	Depth	Height	TDA m ²	Power
1,25	1330mm	765mm	1950mm	2.85m ²	230V / 50Hz
2,50	2580mm	765mm	1950mm	4.60m ²	230V / 50Hz

Module	Width*	Depth	Height	TDA m ²	Power
1,25	1330mm	765mm	2145mm	3.29m ²	230V / 50Hz
2,50	1330mm	765mm	2145mm	5.28m ²	230V / 50Hz

Based on Glass End Walls

TDA (Total Display Area)
*Width includes end walls (40mm each)

aero Plug-in 1250mm x 1715mm



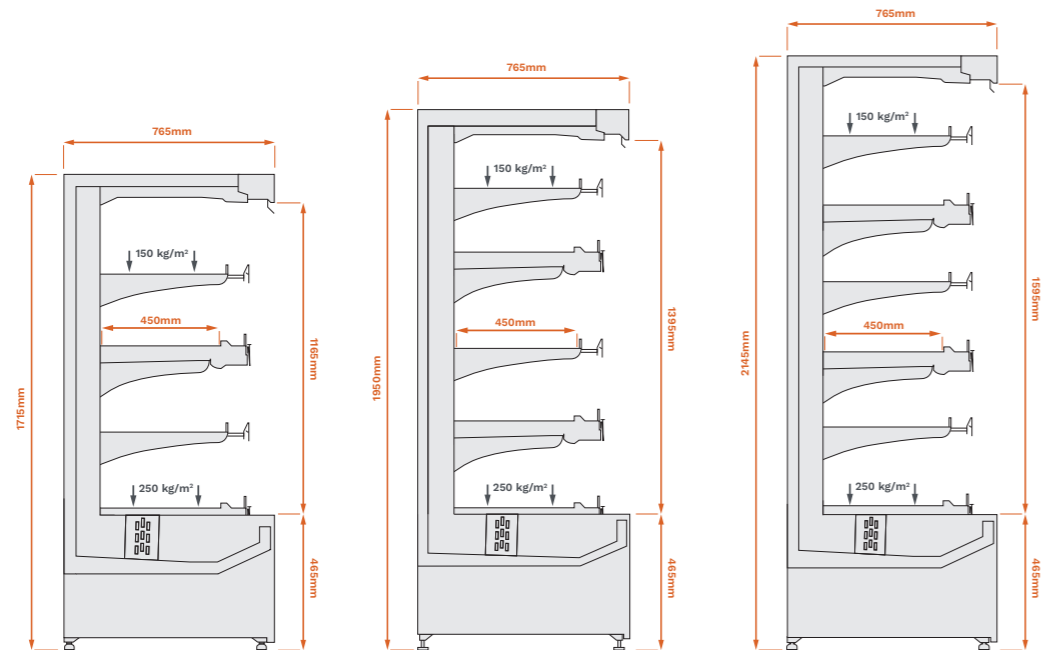
aero Plug-in 1250mm x 1950mm



aero Plug-in 2580mm x 2145mm

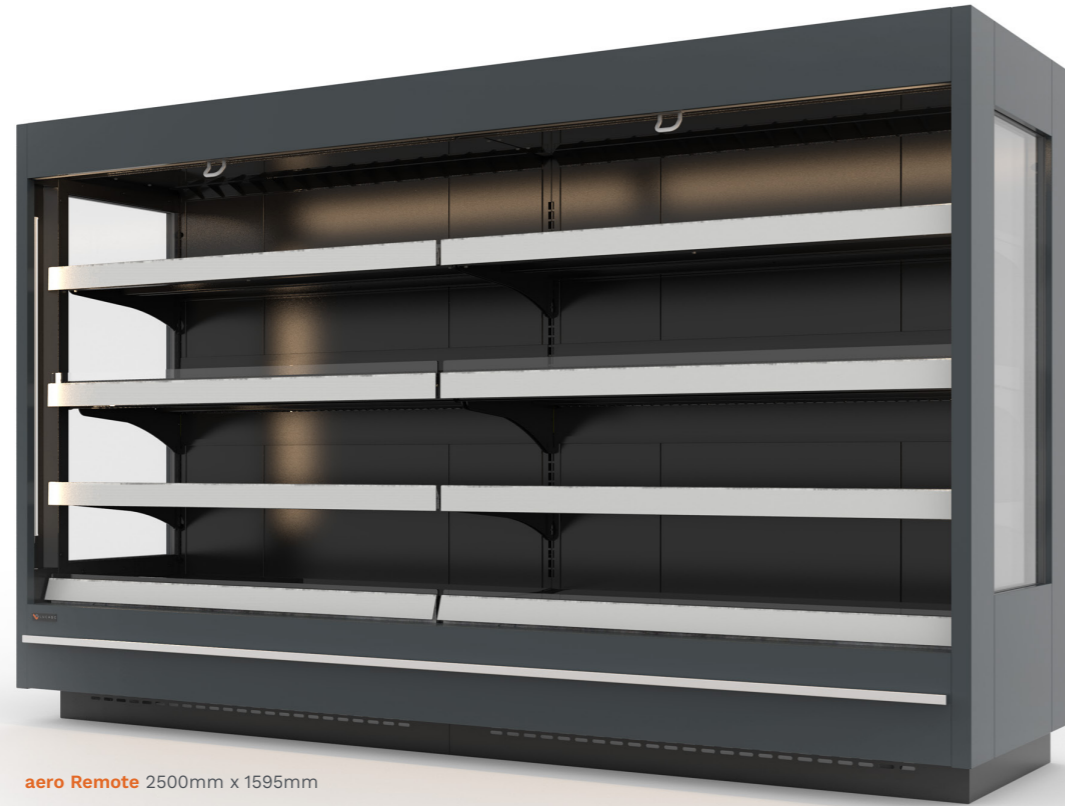


Diagrams





Cooling Duty
1150W per/M
@ -5 *R449A



aero

Remote 750mm deep

Powered by
Aircell

Refrigerant
Wide selection of refrigerants available

Temp. class/range
3M1 (-1 ÷ +5°C)

Climate Class
3 (25°C, 60% RH)

Specification

- / Remote cabinet
- / Aircell patented ventilation system
- / Manual nightblind
- / Adjustable shelving*
 - / 3 Tier plus base (1595mm high)
 - / 4 Tier plus base (2020mm high)
 - / 5 Tier plus base (2250mm high)
- / POS price rails
- / Perspex risers
- / Electronic controller
- / Horizontal LED canopy lighting
- / EC evaporator fans
- / Expansion valve
- / Off cycle defrost
- / Multiplexable

*Aircell shelves can move one position upwards or downwards.

Options & Accessories

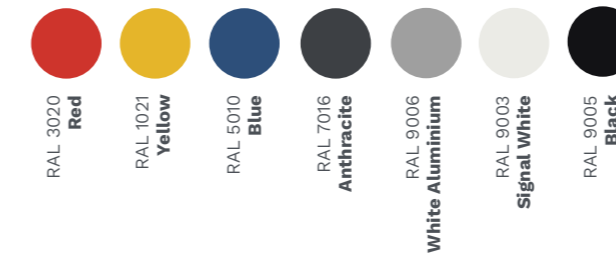
- / Variety of refrigerant options: R455A, R452A, R448A, R449A
- / CO₂ option
- / Alternative brand electronic controller
- / Electronic expansion valve
- / Ball valves & Solenoid valves
- / Electric night blind
- / Tilted shelf risers
- / Additional shelving
- / Stepped shelf risers
- / Alternative bumper options
- / Vertical lighting in end walls
- / Glass or solid ends

Module	Width*	Depth	Height	TDA m ²	Power
1,25	1250mm	750mm	1595mm	2.33m ²	230V / 50Hz
2,50	2500mm	750mm	1595mm	3.78m ²	230V / 50Hz
3,75	3750mm	750mm	1595mm	5.24m ²	230V / 50Hz

Based on Glass End Walls

TDA (Total Display Area)
*Width **excludes** end walls (40mm each)

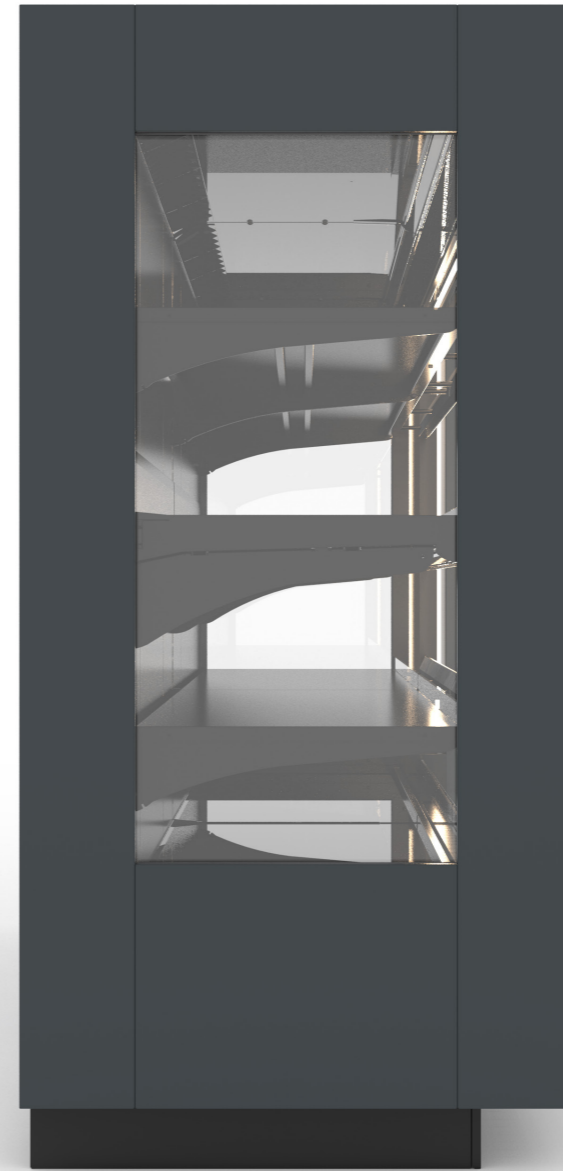
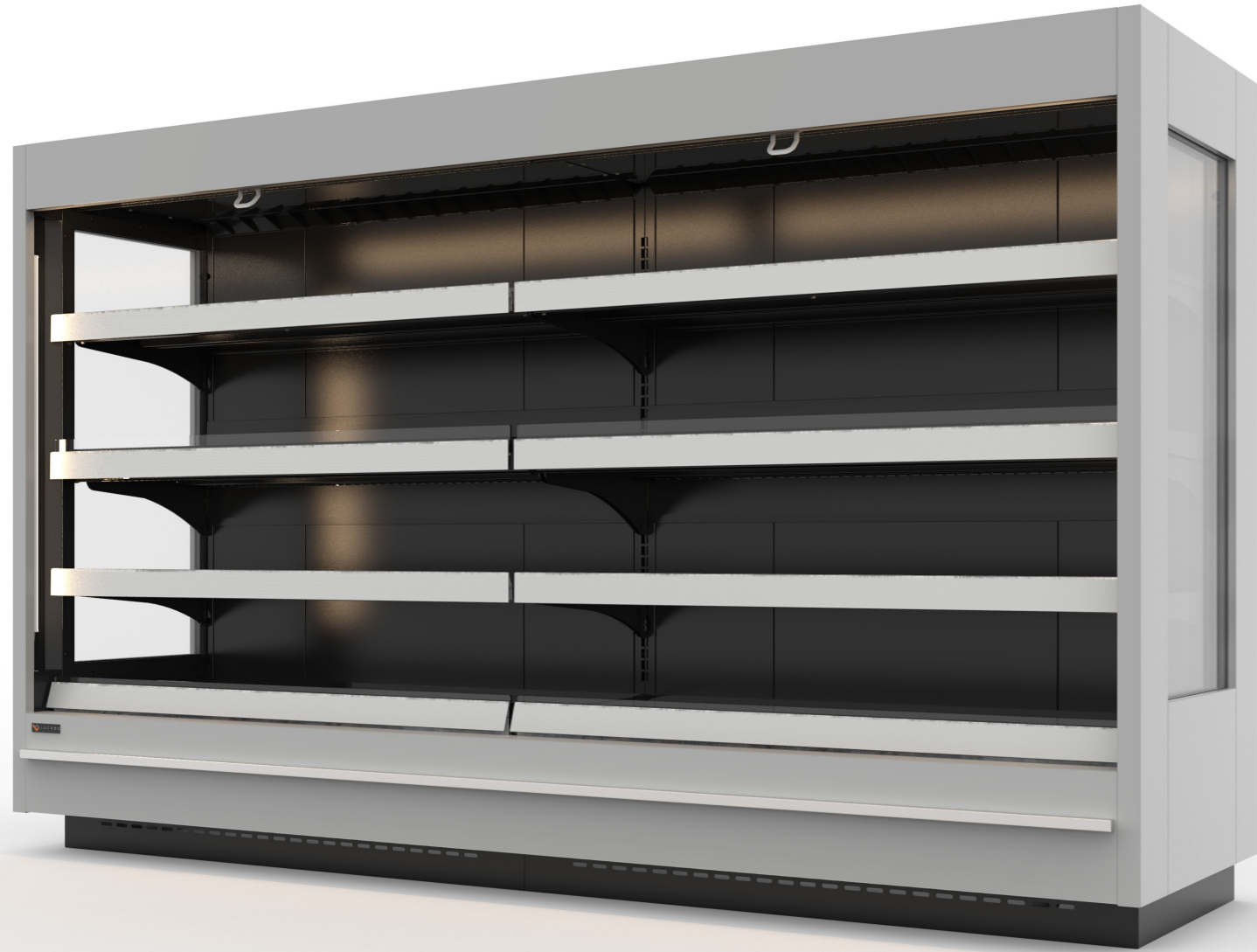
Standard Colour finishes



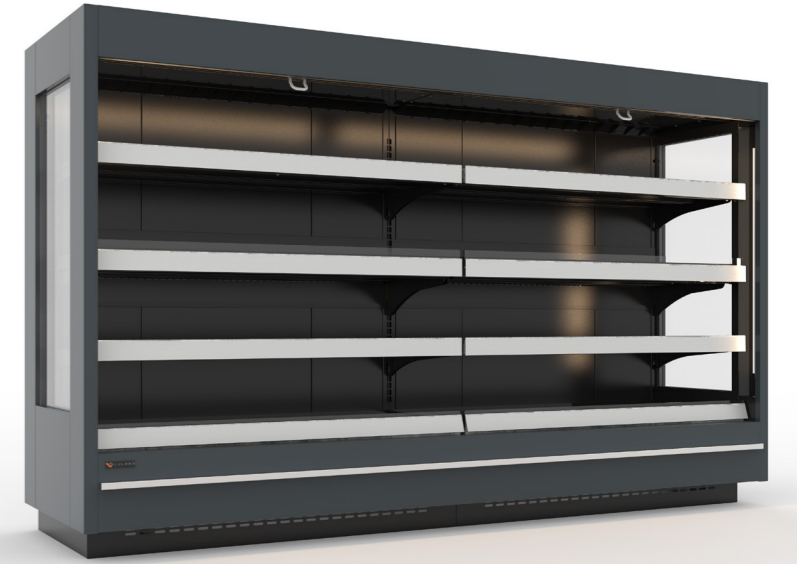
Optional Customisation
Any RAL Colour

Coming Soon...
Additional height options of 2020mm and 2250mm

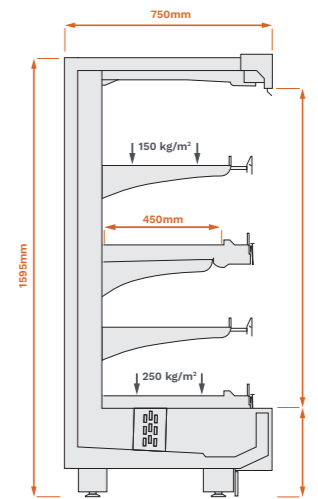
aero Remote 2500mm x 1595mm



aero Remote 2500mm x 1595mm



Diagrams





aero Remote 3750mm x 2225mm

aero
Remote 895mm deep

Powered by
Aircell



Refrigerant
Wide selection of refrigerants available



Temp. class/range
3M1 (-1 ÷ +5°C)



Climate Class
3 (25°C, 60% RH)

Specification

- / Remote cabinet
- / Aircell patented ventilation system
- / Manual nightblind
- / Adjustable shelving*
 - / 3 Tier plus base (1595mm high)
 - / 4 Tier plus base (2020mm high)
 - / 5 Tier plus base (2250mm high)
- / POS price rails
- / Perspex risers
- / Horizontal LED canopy lighting
- / Electronic controller
- / EC evaporator fans
- / Expansion valve
- / Off cycle defrost
- / Multiplexable

*Aircell shelves can move one position upwards or downwards.

Options & Accessories

- / Variety of refrigerant options: R455A, R452A, R448A, R449A
- / CO₂ option
- / Alternative brand electronic controller
- / Electronic expansion valve
- / Ball valves & Solenoid valves
- / Electric night blind
- / Tilted shelf risers
- / Additional shelving
- / Stepped shelf risers
- / Alternative bumper options
- / Vertical lighting in end walls

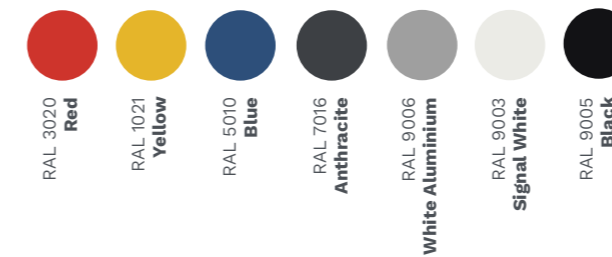
Module	Width*	Depth	Height	TDA m ²	Power
1,25	1250mm	895mm	2020mm	3.67m ²	230V / 50Hz
2,50	2500mm	895mm	2020mm	5.66m ²	230V / 50Hz
3,75	3750mm	895mm	2020mm	7.65m ²	230V / 50Hz

Module	Width*	Depth	Height	TDA m ²	Power
1,25	1250mm	895mm	2250mm	4.21m ²	230V / 50Hz
2,50	2500mm	895mm	2250mm	6.49m ²	230V / 50Hz
3,75	3750mm	895mm	2250mm	8.77m ²	230V / 50Hz

Based on Glass End Walls

TDA (Total Display Area)
*Width **excludes** end walls (40mm each)

Standard Colour finishes



Optional Customisation
Any RAL Colour



Coming Soon...
Additional height option of 1595mm